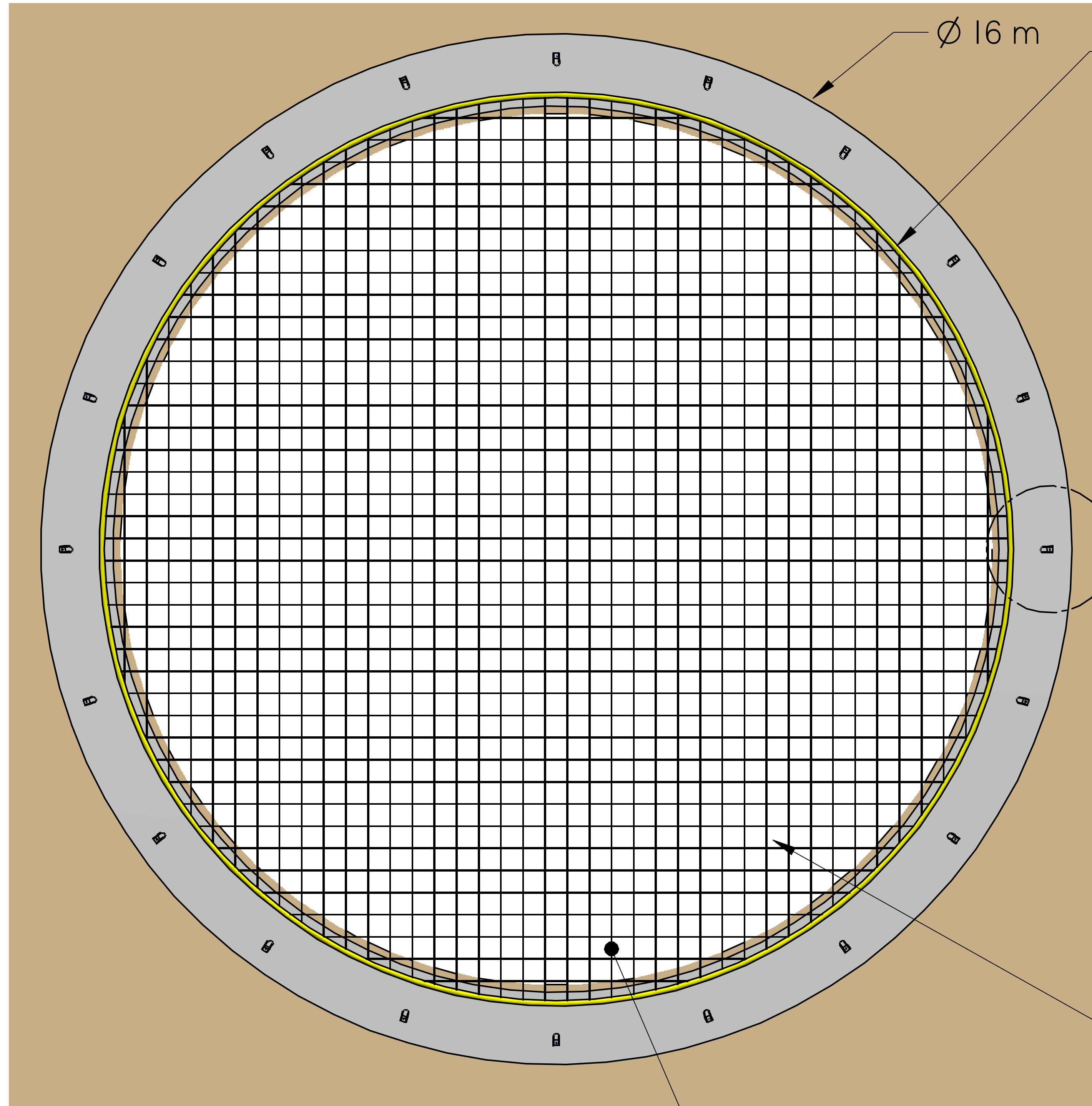
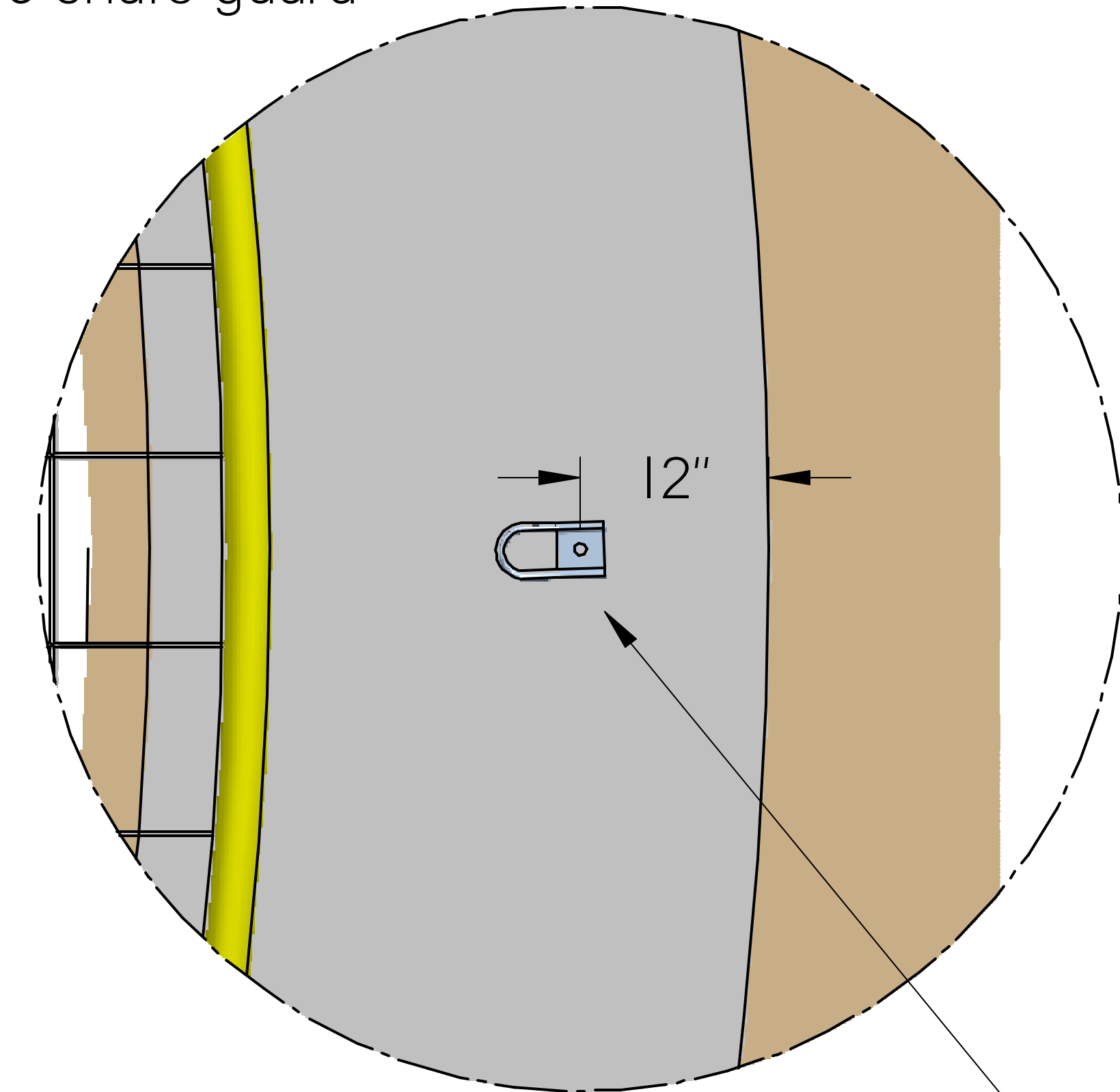


Ø 47'-3" [14.4 m] Rope Net for Temporary Shaft Close Out

Shaft 2



- 5/8" Border Rope
- 3 Strand polypropylene
 - With single ply PVC chafe guard



- Tieback Anchor Bracket (x 20)
- Use supplied HILTI expansion anchor bolt
 - Bolt model HSL-3 MI2/25
 - Drill 18 mm x 4.5" hole

- 4" x 4" Rope Net Mesh
- 1/4" braided nylon rope

Inside Ø of beam ring 14.2 m

SUPERCHUTE.COM

| | |
|----------|---------------------------------|
| CUSTOMER | STRABAG Inc. |
| PROJECT | Rope Net for Temporary Shaft #2 |
| DRAWN BY | Christian Tchozoyema, B. Eng. |
| REV A | Sept 18, 2012 |