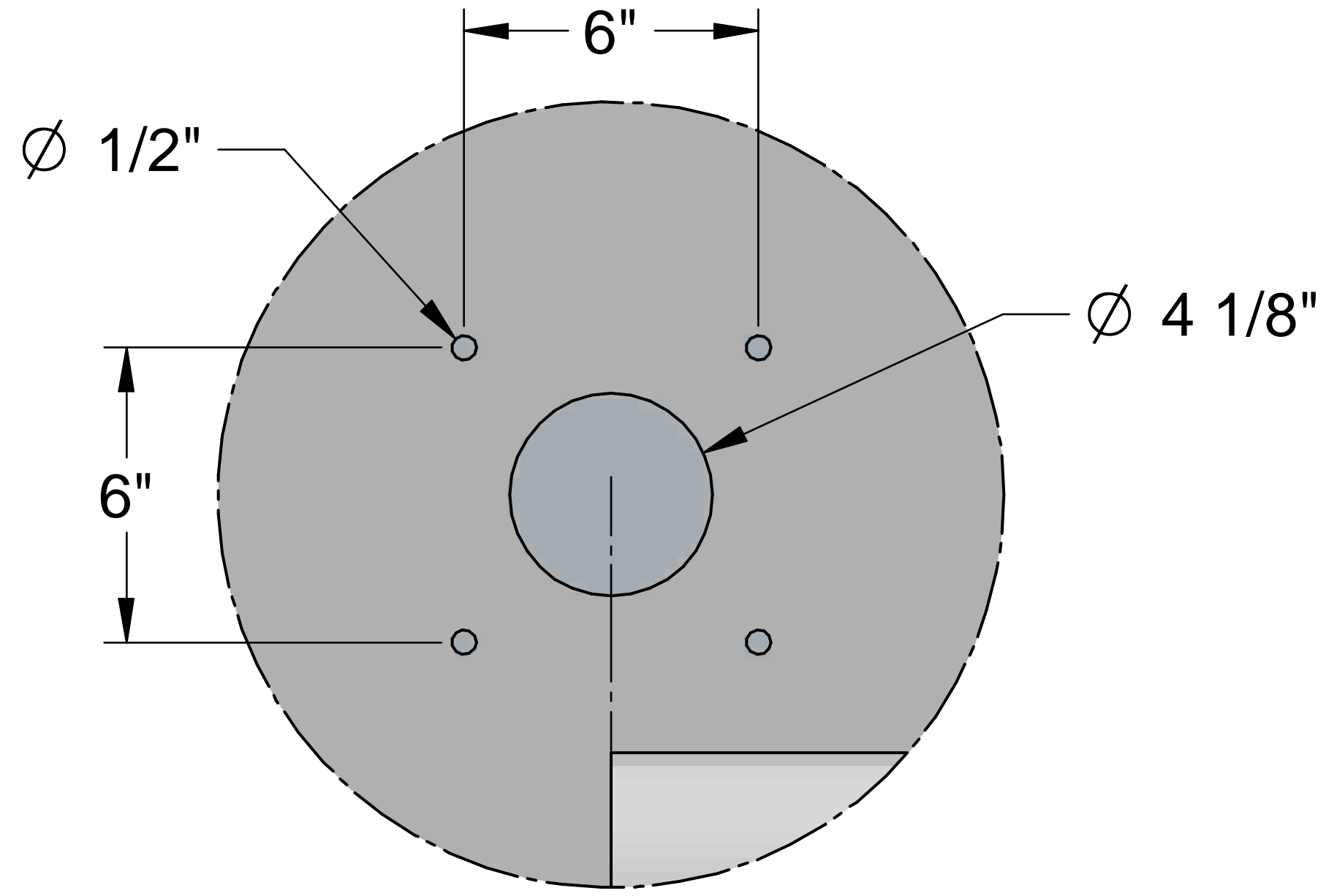
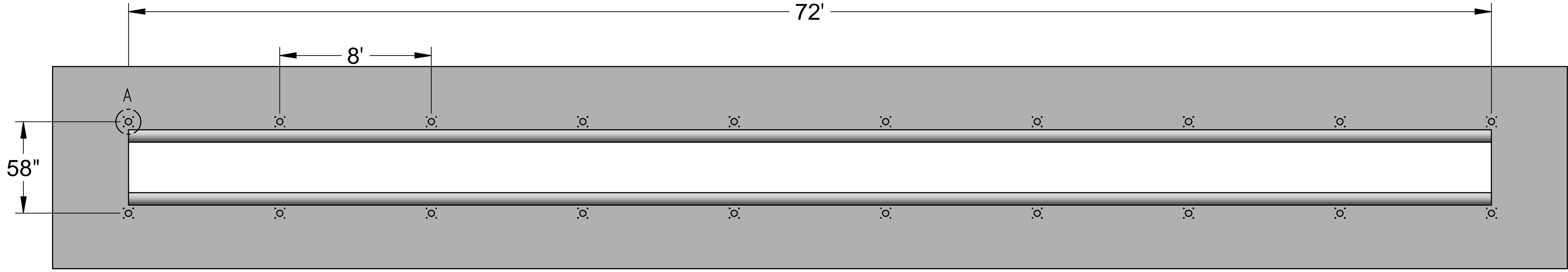


# Coring Floor Plan for Socket Bases



DETAIL A

|          |                                    |
|----------|------------------------------------|
|          |                                    |
| CUSTOMER | Speedco                            |
| PROJECT  | Coring Floor Plan                  |
| DRAWN BY | Lorin Spevack, B.Mech. Engineering |
| DATE     | September 16, 2016                 |
| REV      | Q-101473-2-A                       |

This document contains confidential, privileged or proprietary information and is to be viewed by the Superchute designated recipient only. Unintended recipients are prohibited from making any use of this document. Superchute Factory Phone: 1-800-363-2488.