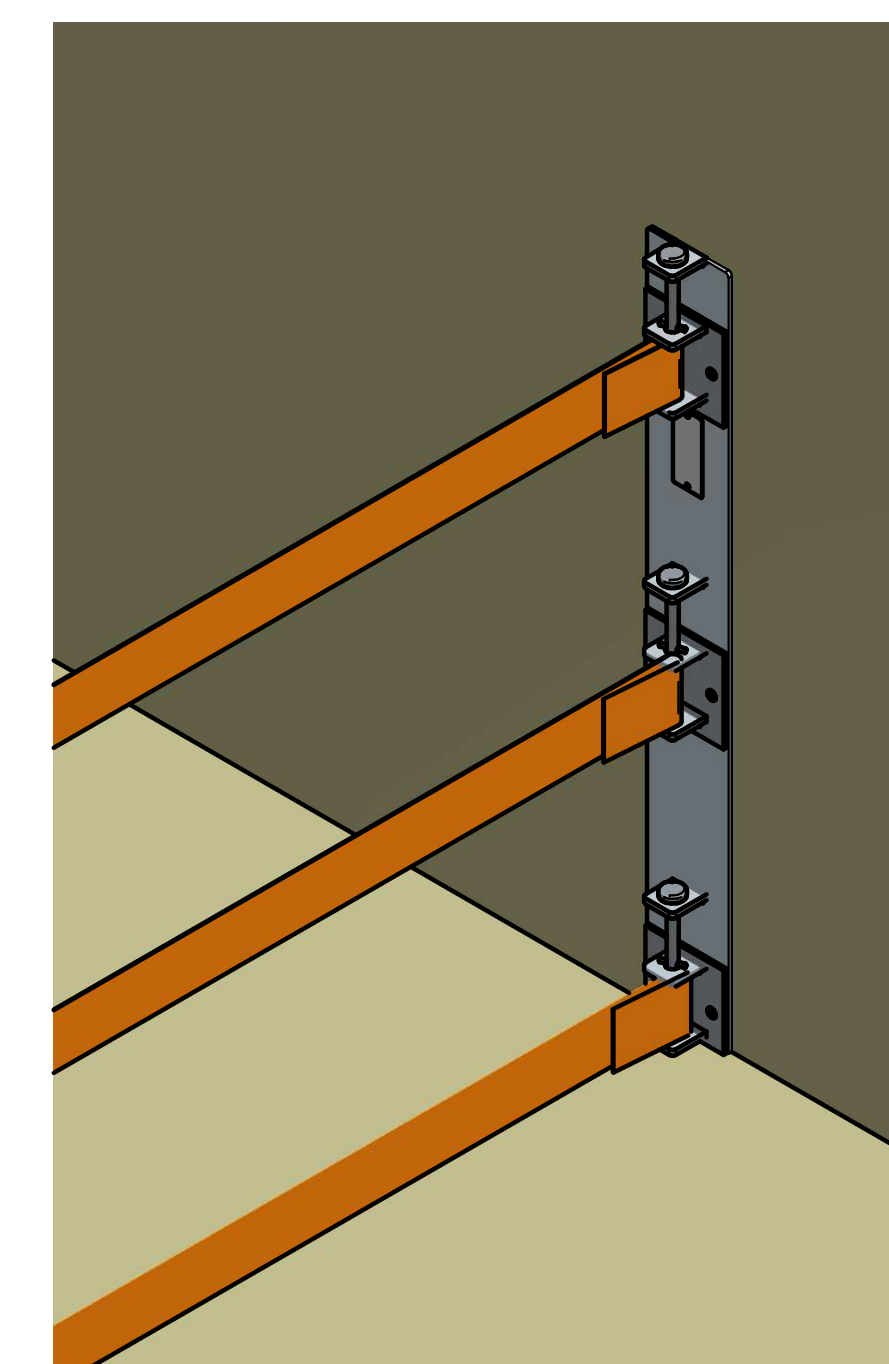


StrapRail® for Fall Protection



Wall Post

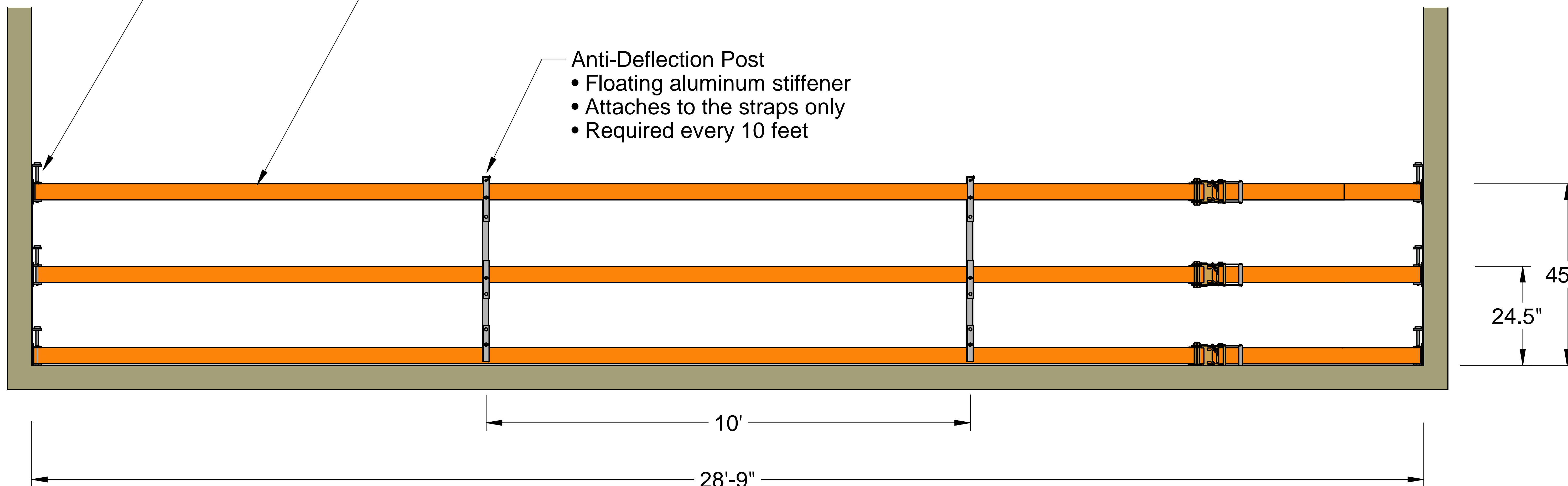
- Stainless steel 316 anchor post
- Drill and bolt the wall post to a structurally adequate poured concrete wall
- Requires 6 factory approved anchor bolts

Orange Strap Rail Member

- 4" polyester webbing with 10 year UV protection
- Consists of 35' Rail Strap + 4' Ratchet Strap
- Fully tensioned ratchet applies 2,500 lb of force to each strap
- 3 ratcheted straps exert 7,500 lb of tension on each wall
- Breaking strain of a single strap: 24,000 lb when new
- Breaking strain of a ratchet: 22,000 lb

Anti-Deflection Post

- Floating aluminum stiffener
- Attaches to the straps only
- Required every 10 feet



Anchor Bolt (x6)

- 6 bolts per Wall Post
- Nuclear application
- SS HDA-PR M10x100/20
- Item #339346

| SUPERCHUTE.COM | |
|-----------------------|-----------------------------|
| CUSTOMER | Sargent & Lundy LLC |
| PROJECT | StrapRail |
| DRAWN BY | Chrstian Tchozoyema, B.Eng. |
| REV D | Nov 24, 2014 |