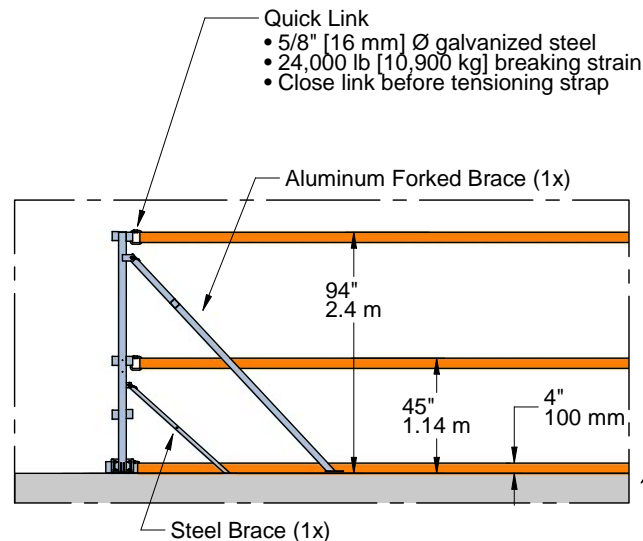
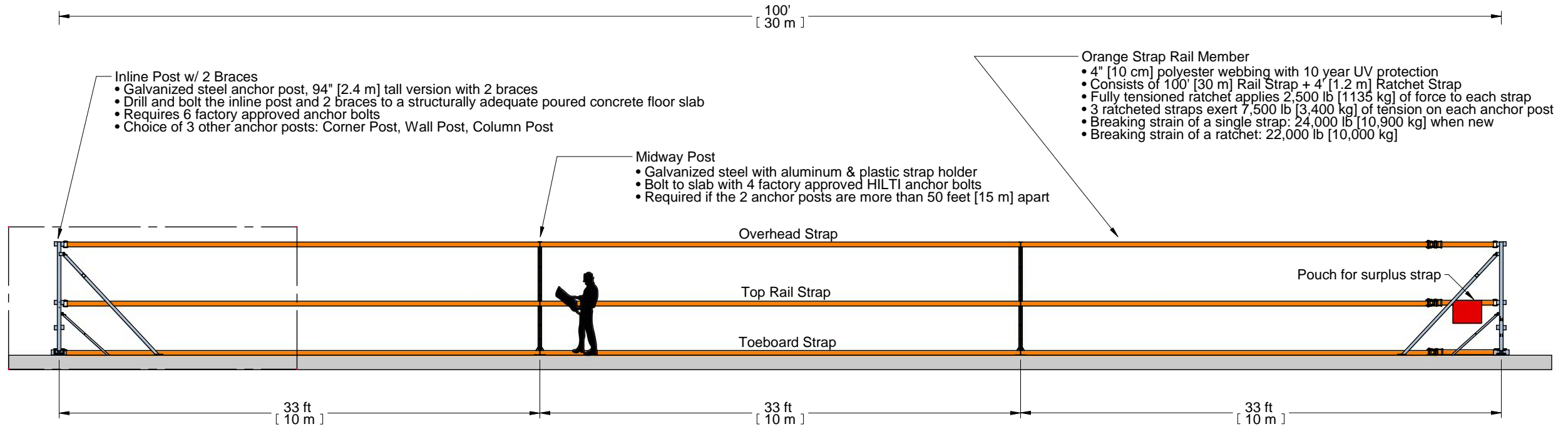


Drawing H: Using 2 Tall Inline Posts to Anchor a 100' x 94" [30 m x 2.4 m] Barrier System with Netting

- A structural engineer must verify the adequacy of the supporting structure.
- Inline posts have a safety factor of 3:1 (based on straps tensioned to 2,500 lb each).
- Must be anchored to a structurally adequate poured concrete floor slab (minimum thickness 6").



Mandatory Barrier Netting:

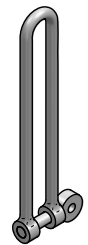
- High Strength Ripstop Polyethylene Yellow Mesh Net
- Roll dimension: 100 ft x 7 ft [30 m x 2.15 m]
- Provides fall protection, debris containment, and shade
- Reinforced border with buttonholes on upper and lower edges
- Mesh diameter 1/32" [0.8 mm]
- Shade 70%
- Burst strength 260 lb-force [1160 N]
- Cut the net to your desired length

Factory Approved Anchor Bolt Models:

- HILTI HUS KH-EZ
- HILTI HSL-3 M12/25
- HILTI HSL-B M12/25
- HILTI HSL-I M12 65/80
- STRAPRAIL SC-TB-17
- STRAPRAIL SC-TB-35

Stainless Steel Shackles

- For attachment of netting to overhead strap & toeboard strap
- Dimensions: Ø 0.25" x 4.75" [6.35 mm x 120 mm] inside length
- Spacing: every 2 feet on overhead & toeboard straps
- Breaking strain: 4000 lb [1815 kg]
- Captive pin design prevents loss of shackle pin



STRAPRAIL.COM

Made by Superchute Ltd.

PROJECT	Inline Barrier Rail
DATE / REV	May 4, 2011 / A
PHONE	1-800-363-2488