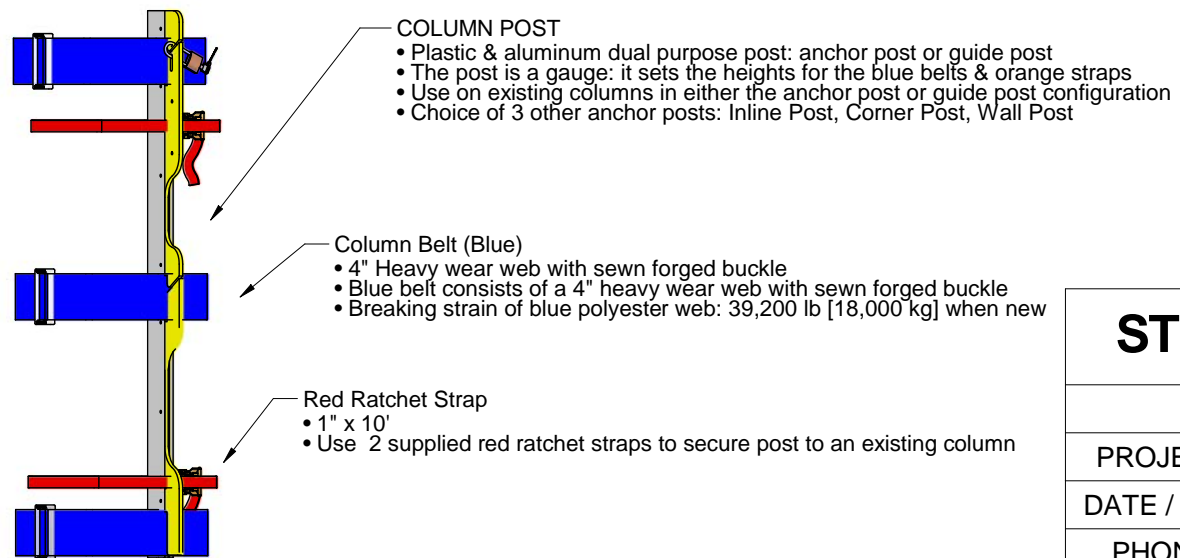
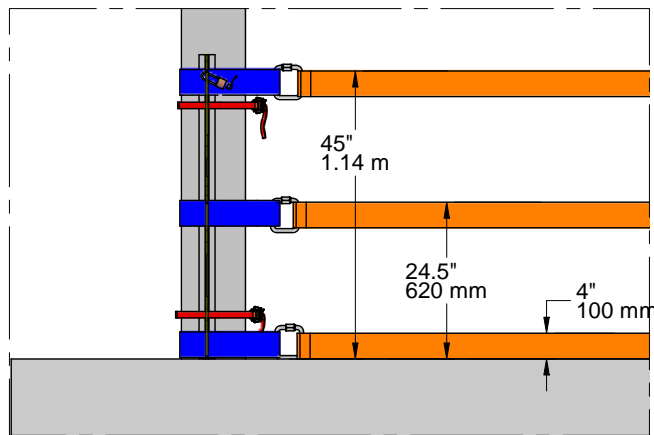
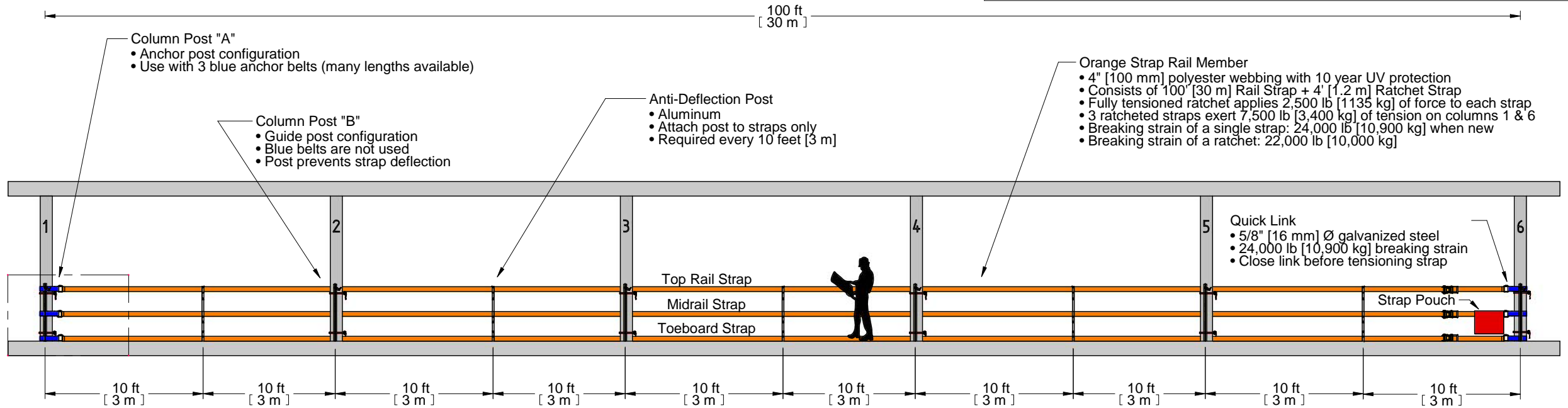


# Drawing A: Using 2 Column Posts & 6 Blue Belts to Anchor a 100' x 45" [30 m x 1.14 m] Guardrail System

- A structural engineer must verify the adequacy of the supporting structure.
- Existing steel or concrete columns must be capable of withstanding 3 times the strap tension (based on 3 straps, each strap tensioned to 2,500 lb).
  - No tools are needed for the installation of StrapRail Column Posts.

The 45" tall guardrail can be overlaid with optional StrapRail Debris Net, which is secured every 5 feet to the toeboard and toprail straps with disposable nylon ties. The addition of netting reduces the risk of objects falling or blowing through the guardrail and injuring persons below.



**STRAPRAIL.COM**

Made by Superchute Ltd.

PROJECT	Column Post System
DATE / REV	May 4, 2011 / B
PHONE	1-800-363-2488