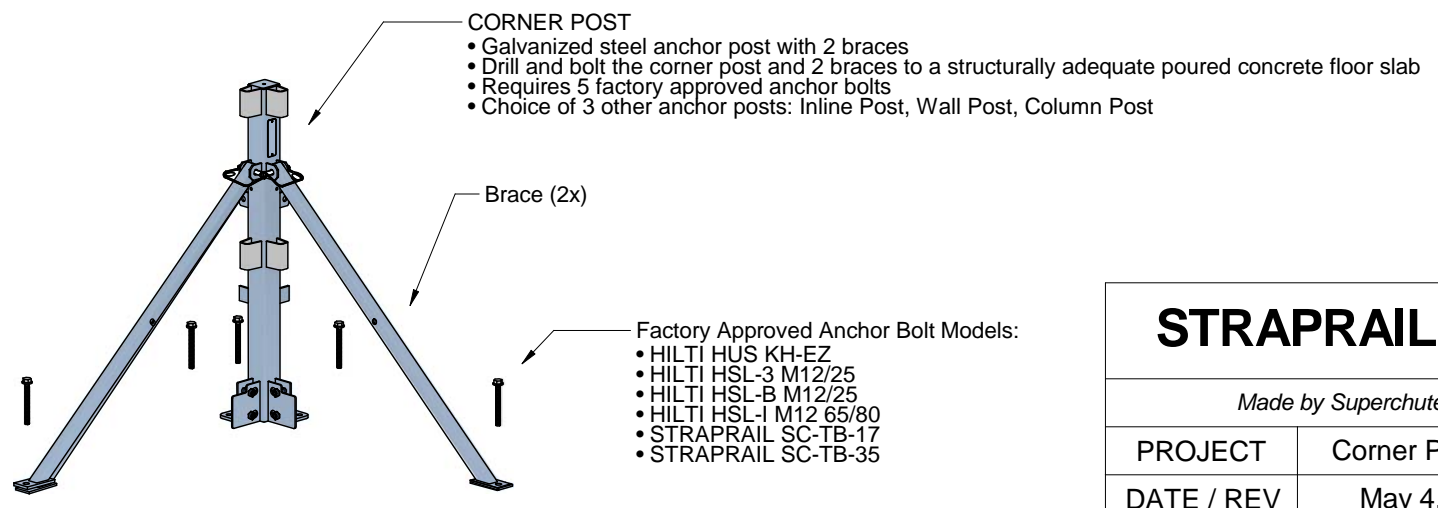
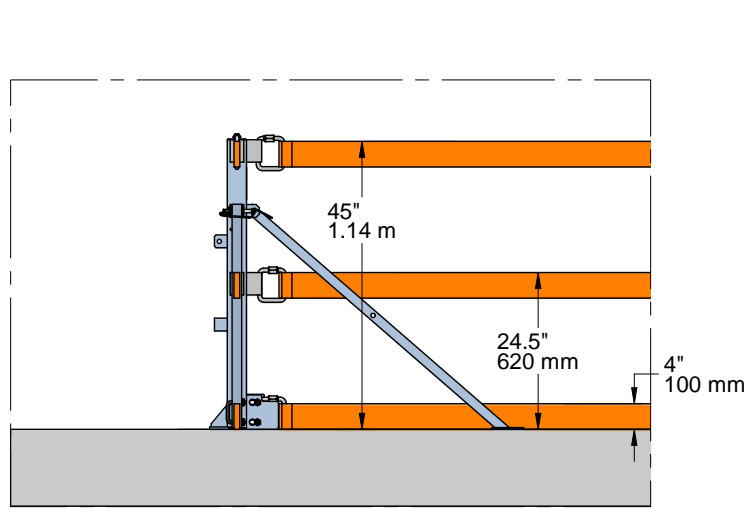
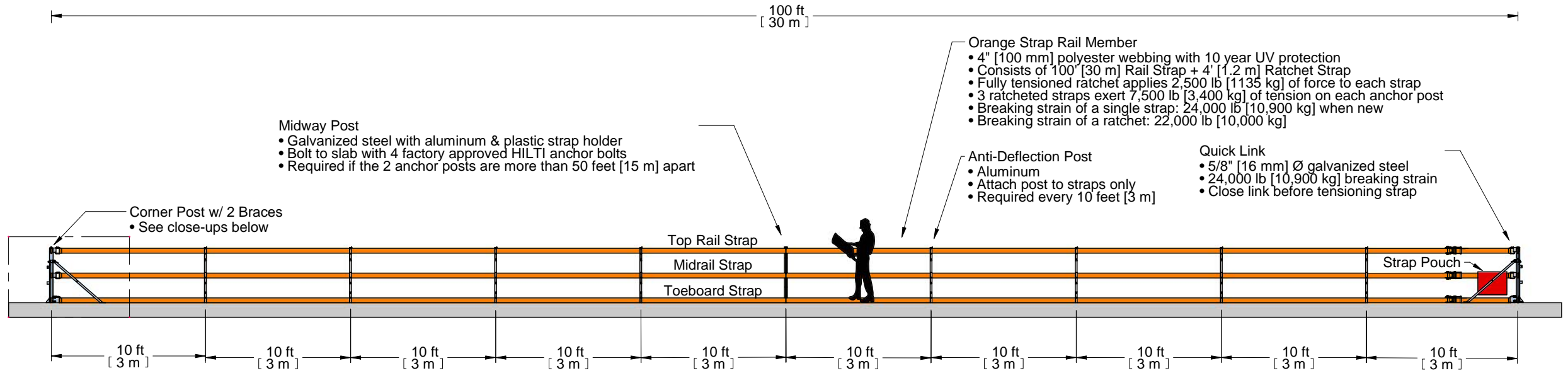


Drawing C: Using 2 Corner Posts to Anchor a 100' x 45" [30 m x 1.14 m] Guardrail System

- A structural engineer must verify the adequacy of the supporting structure.
- Corner posts have a safety factor of 3:1 (based on straps tensioned to 2,500 lb each).
- Must be anchored to a structurally adequate poured concrete floor slab (minimum thickness 6").

The 45" tall guardrail can be overlaid with optional StrapRail Debris Net, which is secured every 5 feet to the toeboard and toprail straps with disposable nylon ties. The addition of netting reduces the risk of objects falling or blowing through the guardrail and injuring persons below.



STRAPRAIL.COM	
<i>Made by Superchute Ltd.</i>	
PROJECT	Corner Post System
DATE / REV	May 4, 2011 / B
PHONE	1-800-363-2488