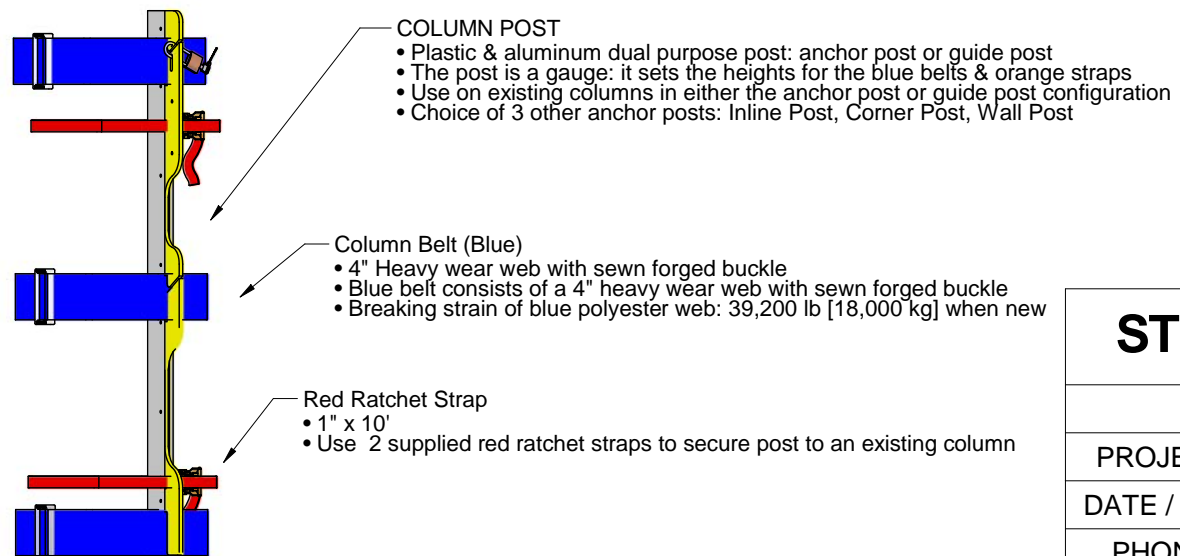
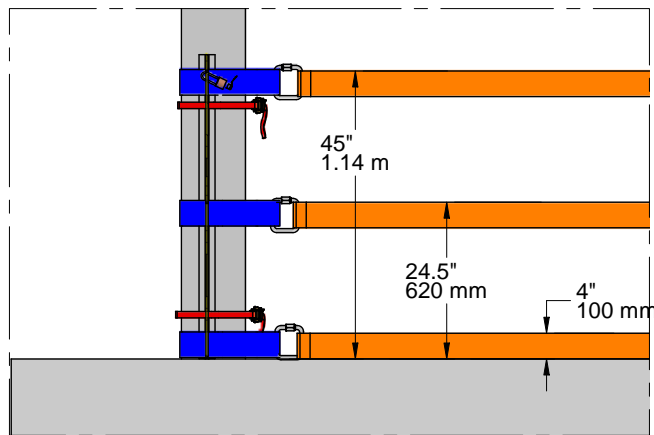
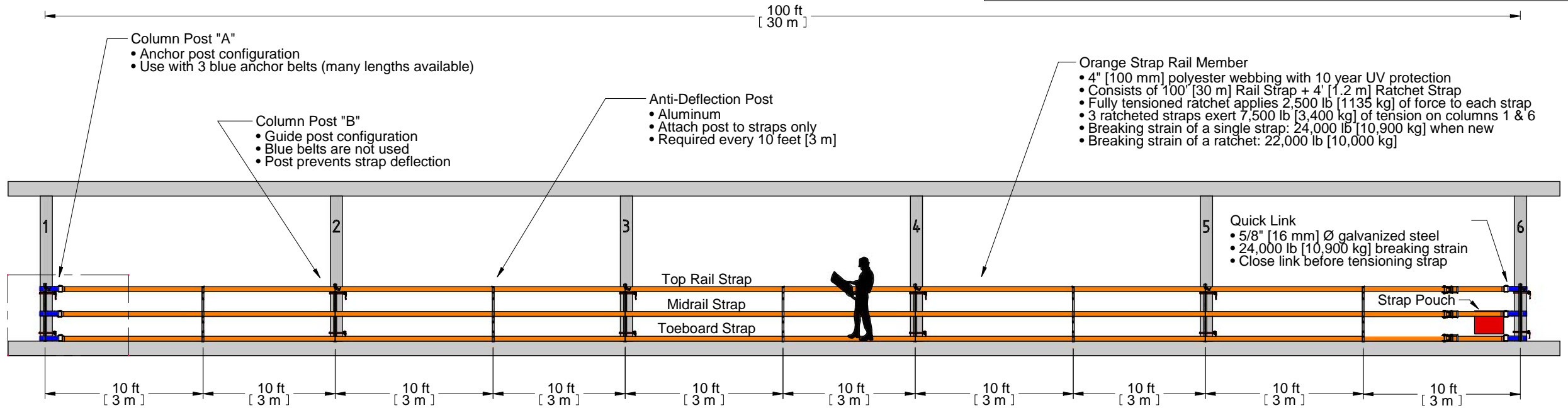


Drawing A: Using 2 Column Posts & 6 Blue Belts to Anchor a 100' x 45" [30 m x 1.14 m] Guardrail System

- A structural engineer must verify the adequacy of the supporting structure.
- Existing steel or concrete columns must be capable of withstanding 3 times the strap tension (based on 3 straps, each strap tensioned to 2,500 lb).
 - No tools are needed for the installation of StrapRail Column Posts.

The 45" tall guardrail can be overlaid with optional StrapRail Debris Net, which is secured every 5 feet to the toeboard and toprail straps with disposable nylon ties. The addition of netting reduces the risk of objects falling or blowing through the guardrail and injuring persons below.



STRAPRAIL.COM

Made by Superchute Ltd.

PROJECT	Column Post System
DATE / REV	May 4, 2011 / B
PHONE	1-800-363-2488