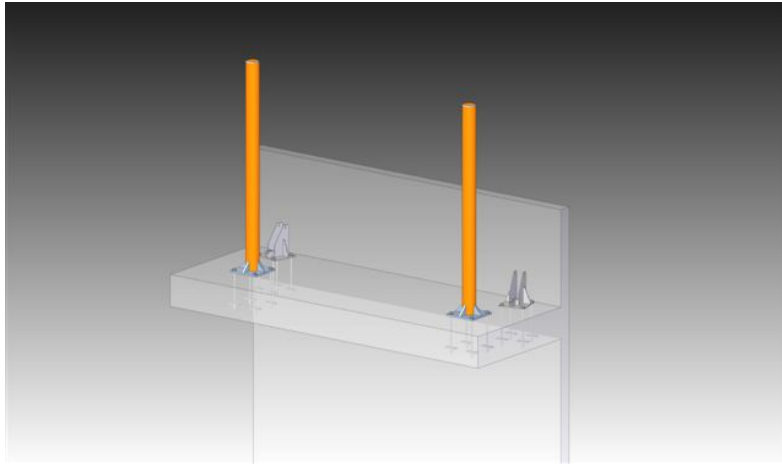
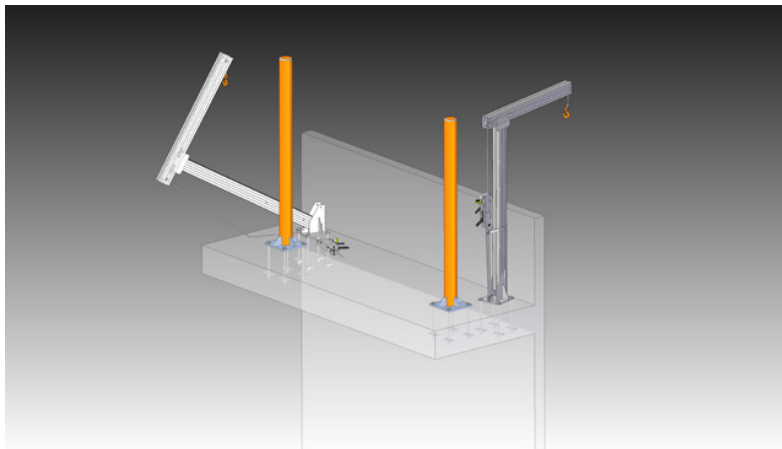


Installation of a Roof Mounted Mega Snow Chute

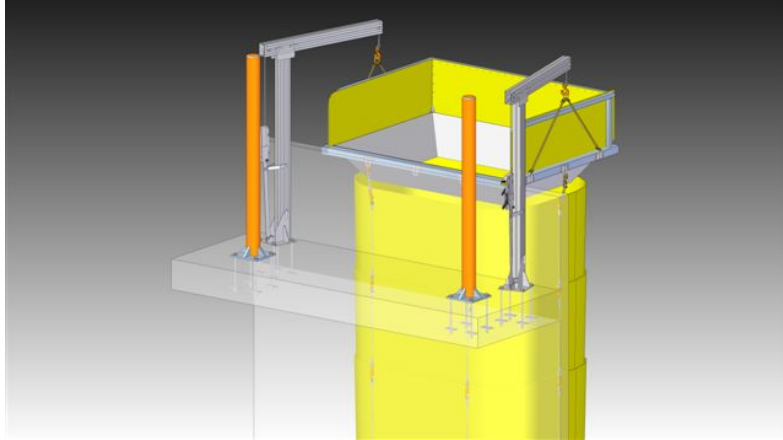
Step 1 - Install the Mast Bases & Protective Bollards



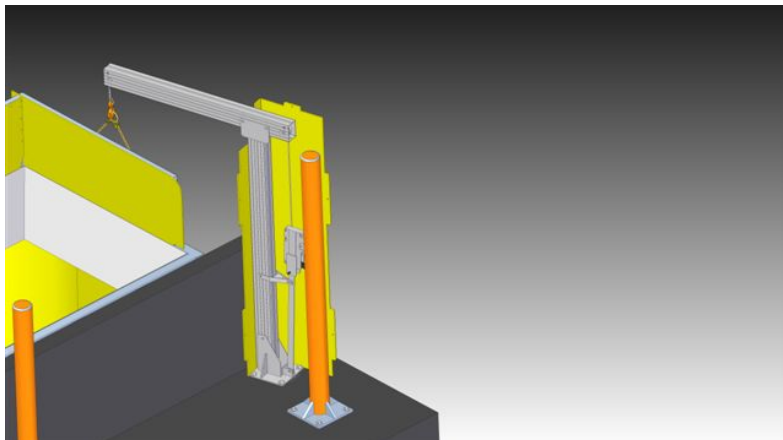
Step 2 - Install the Davit Arms



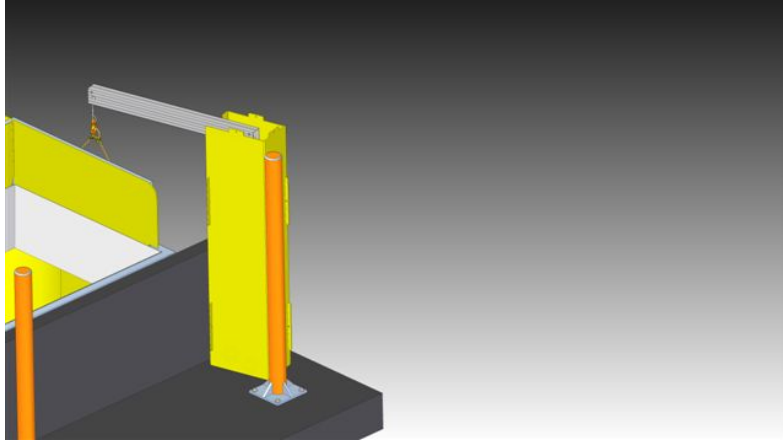
Step 3 - Raise the Snow Chute using the Davit Winches



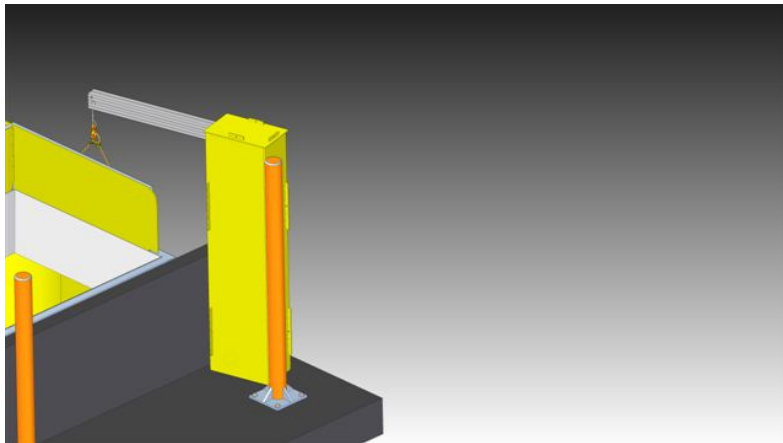
Step 4 - Prevent Tampering: Install the First Corner Panel of the Plastic Davit Arm Enclosure



Step 5 - Install the Second Corner Panel



Step 6 - Install the Lid



View of the Installed Snow Chute with Enclosure on one of the Davit Arms

